




Seatpost pneumatic locking

SE

Seatpost pneumatic locking

Seatpost with pneumatic locking available in heights from 80 mm to 160 mm. Seatposts with completely adjustable and lockable rotating action. Makes it possible to position the seat in an optimal working direction 0° - 270° and reduces the afflection to neck and back.

Pneumatic locking with control valve (normally mounted at armrest). The seat posts are supplied for contact breakers / sensors. Can be equipped with electric locking.

All seatpost with  mark designed with extra strong material to handle substantial loads.



- 6507.08 Seatpost pneumatic locking 80 mm
- 6507.16 Seatpost pneumatic locking 160 mm

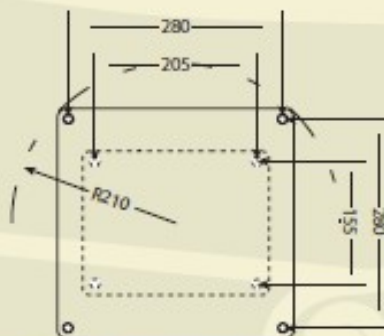
Other heights available upon request.

- 6500.18 Seatpost pneumatic locking 180 mm with slot / slit, centre hole for cable, diameter 75 mm
- 6508.20 Seatpost R-L-S with pneumatic locking and mechanical height adjustment 180-240 mm

Swivel plates / turntables

- 6500.05 Turntable pneumatic locking 40 mm
- 6510.16 Turntable mechanical locking with handle, locking positions 0° - 180° Unlimited swivel. No fitting for contact breaker / sensors.

SE



Part no:	Height (A):
6507.08	80 mm
6507.16	160 mm

All measurements are in mm.

Be Seated by



Förarmiljö ab

Box 7, S-731 10 KOLSVÄ, Sweden
Tel. +46-(0)221-535 00, Fax +46-(0)221-500 00
www.forarmiljo.se - info@forarmiljo.se