

# BE-GE 9000 Airsuspended

SE

SE



Available in SE  
(Forestry/Construction)



Cushion angle  
adjustable 8°



Backrest adjustable 135°



80mm height  
adjustment



Seat at picture:  
BE-GE 9000SE Airvent with headrest.

Be Seated by



**Förarmiljö ab**

Enjoy the comfort

At your service since 1987

# BE-GE 9000 Airsuspended

SE

**BE-GE 9000 Air suspension**, designed to give the driver maximal comfort in rough environments.

**BE-GE 9000 Air suspension** has easy and quick adjustments

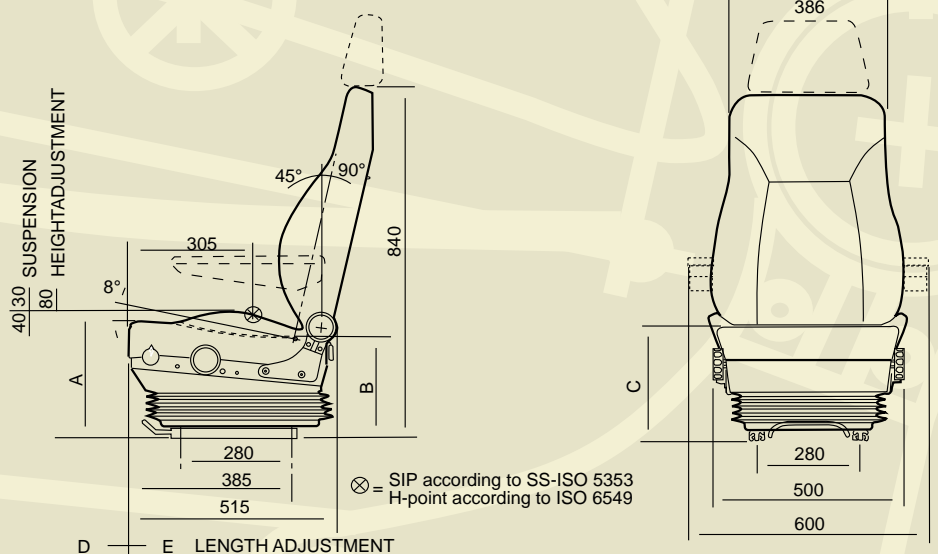
Seats with **SE** mark are designed for Forestry/Construction area tough conditions in todays working environments. **SE**-seats with slidingtrack round bar and rheostatically controlled heating element.

**BE-GE 9000 Air suspension** also available in Airvent design with fans mounted in seat and back cushions. Fans in seat and back cushions can be separate controlled for maximal comfort.

**BE-GE 9000 Air suspension** can be equipped with many different accessories like: armrest, headrest, safetybelt, extra sidesupport, planedamper, seatpost, tilt, built in compressor etc.

<b>Art no:</b>	<b>Description:</b>
4500.00	BE-GE 9000 Air suspended, adjustable lumbar support, protective bellow and slidingtrack standard.
5500.12/24	BE-GE 9000 Air suspended Airvent, element heating, adjustable lumbar support, protective bellow and slidingtrack standard.
5551.12/24	BE-GE 9000SE Air suspended Airvent with element heating, adjustable lumbar support, protective bellow and slidingtrack round bar.

Standard	<b>SE</b>
A 295	322
B 193	220
C 265	292
D 105	80
E 55	100



All measurements in mm.



Box 7, S-731 10 KOLSVÄ, Sweden  
 Tel. +46-(0)221-535 00, Fax +46-(0)221-500 00  
 www.forarmiljo.se - info@forarmiljo.se