

BE-GE 9000 Mechanicalsuspended

SE

SE



Available in SE
(Forestry/Construction)



Cushion angle
adjustable 8°



Backrest adjustable 135°



80mm height
adjustment



Seat at picture:
BE-GE 9000SE Airvent with headrest.

Be Seated by



Förarmiljö ab

Enjoy the comfort

At your service since 1987

BE-GE 9000 Mechanicalsuspended



BE-GE 9000 Mechanical suspension, designed to give the driver maximal comfort in rough environments.

BE-GE 9000 Mechanical suspension has easy and quick adjustments

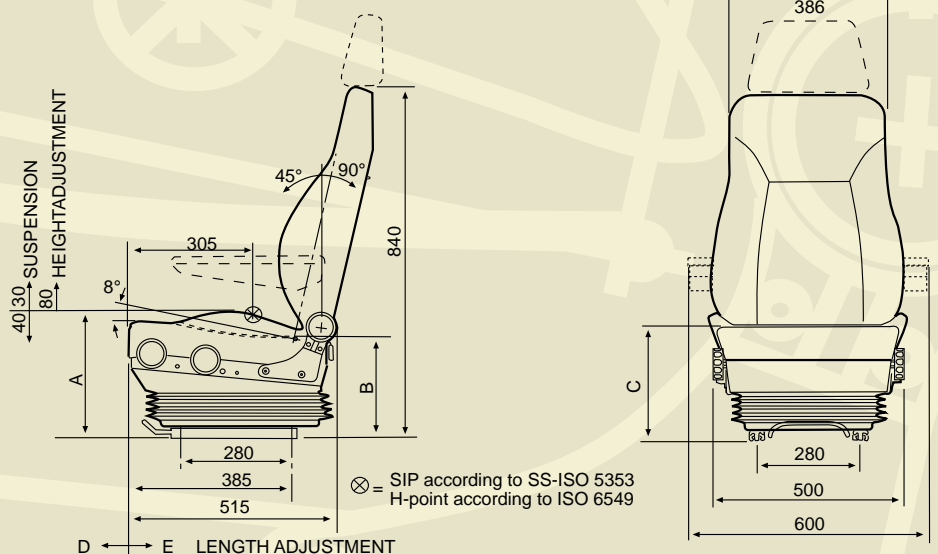
Seats with **SE** mark are designed for Forestry/Construction area tough conditions in todays working environments. **SE**-seats with slidingtrack round bar and rheostatically controlled heating element.

BE-GE 9000 Mechanical suspension also available in Airvent design with fans mounted in seat and back cushions. Fans in seat and back cushions can be separate controlled for maximal comfort.

BE-GE 9000 Mechanical suspension can be equipped with many different accessories like armrest, headrest, safetybelt, extra sidesupport, planedamper, seatpost, tilt, built in compressor etc.

- | | |
|----------------|--|
| Art no: | Description: |
| 4600.00 | BE-GE 9000 Mechanical suspended, adjustable lumbar support, protective bellow and slidingtrack standard. |
| 5600.12/24 | BE-GE 9000 Mechanical suspended Airvent, element heating, adjustable lumbar support, protective bellow and slidingtrack standard. |
| 5651.12/24 | BE-GE 9000SE Mechanical suspended Airvent with element heating, adjustable lumbar support, protective bellow and slidingtrack round bar. |

	Standard	SE
A	295	322
B	193	220
C	265	292
D	105	80
E	55	100



All measurements in mm.



Box 7, S-731 10 KOLSVÅ, Sweden
 Tel. +46-(0)221-535 00, Fax +46-(0)221-500 00
 www.forarmiljo.se - info@forarmiljo.se