

BE-GE 7000 Air suspended

SE

SE



Available in SE
(Forestry/Construction)



Cushion angle
adjustable 8°



Backrest adjustable 135°



80 mm height adjustment



Front edge adjustment



Seat at the picture:
BE-GE 7000SE Airvent with headrest

Be Seated by



Förarmiljö ab

Enjoy the comfort

At your service since 1987

BE-GE 7000 Air suspension, designed to give the driver maximal comfort in rough environments.

BE-GE 7000 Air suspension has easy and quick adjustments

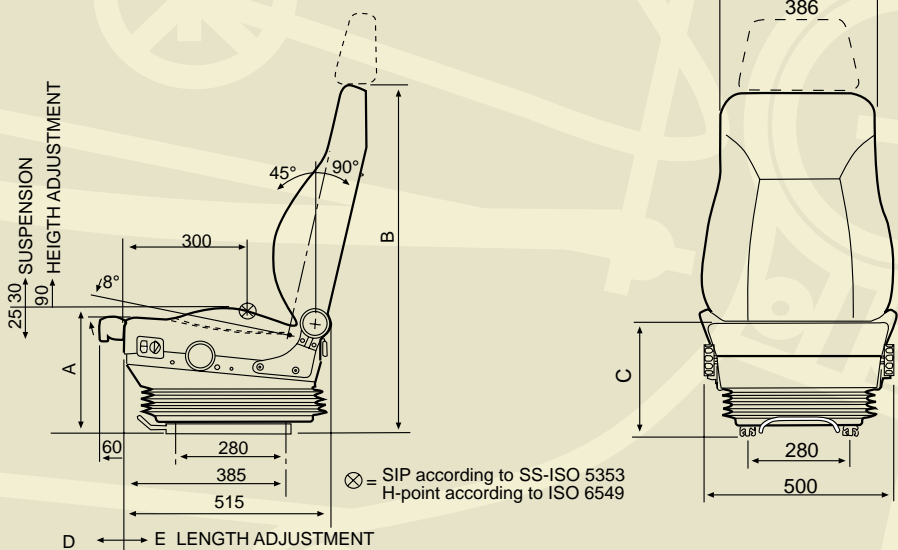
Seats with are designed for Forestry/Construction area tough conditions in today's working environments. -seats with sliding track round bar and rheostatically controlled heating element.

BE-GE 7000 Air suspension also available in Airvent design with fans mounted in seat and back cushions. Fans in seat and back cushions can be separately controlled for maximal comfort.

BE-GE 7000 Air suspension can be equipped with many different accessories like: armrest, headrest, safety belt, extra sidesupport, planedamper, seatpost, tilt, built in compressor etc.

Art no:	Description:
4100.00	BE-GE 7000 Air suspended, adjustable lumbar support, front edge adjustment, protective bellow and sliding track standard.
4151.12/24	BE-GE 7000 Air suspended Airvent, element heating, adjustable lumbar support, front edge adjustment, protective bellow and sliding track standard.
5100.00	BE-GE 7000SE Air suspended, element heating with rheostat, adjustable lumbar support, front edge adjustment, protective bellow and sliding track round bar.
5151.12/24	BE-GE 7000SE Air suspended Airvent with element heating, adjustable lumbar support, front edge adjustment, protective bellow and sliding track round bar.

	Standard	
A	255	280
B	790	815
C	210	235
D	105	80
E	55	100



All measurements in mm.



Box 7, S-731 10 KOLSVA, Sweden
 Tel. +46-(0)221-535 00, Fax +46-(0)221-500 00
 www.forarmiljo.se - info@forarmiljo.se