

E- serie

Spare parts and Mounting details

2009 11 18



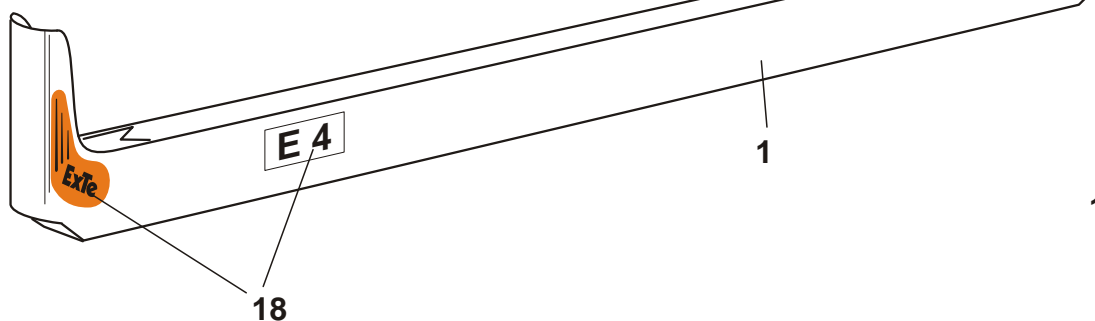
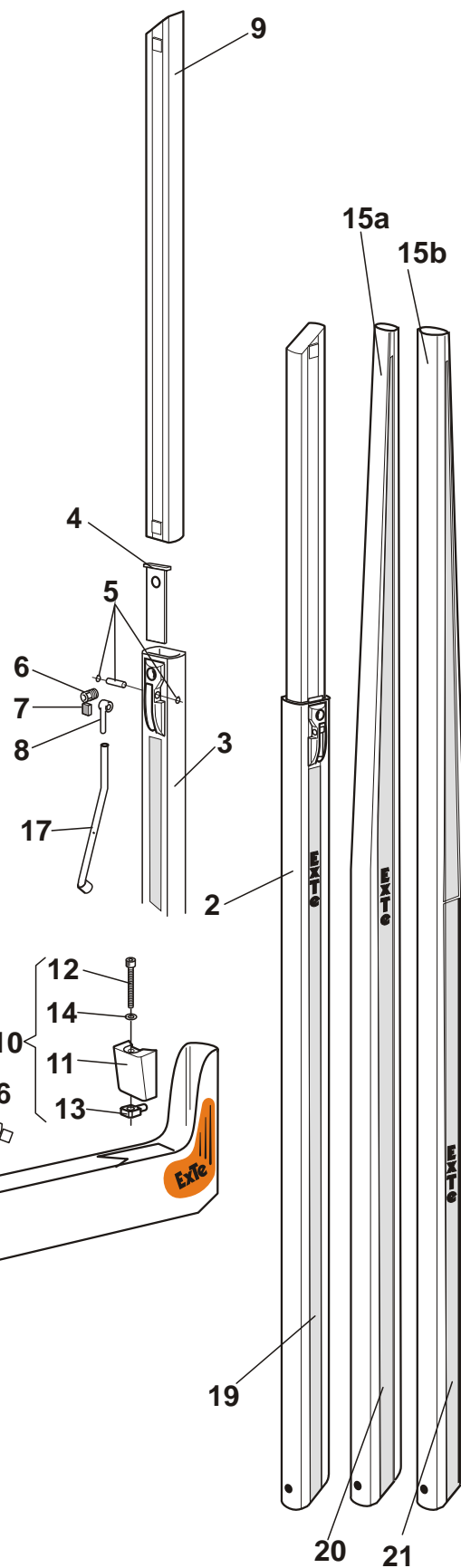
ExTe

Securing cargo. We invented the concept.

Spare parts

E-4

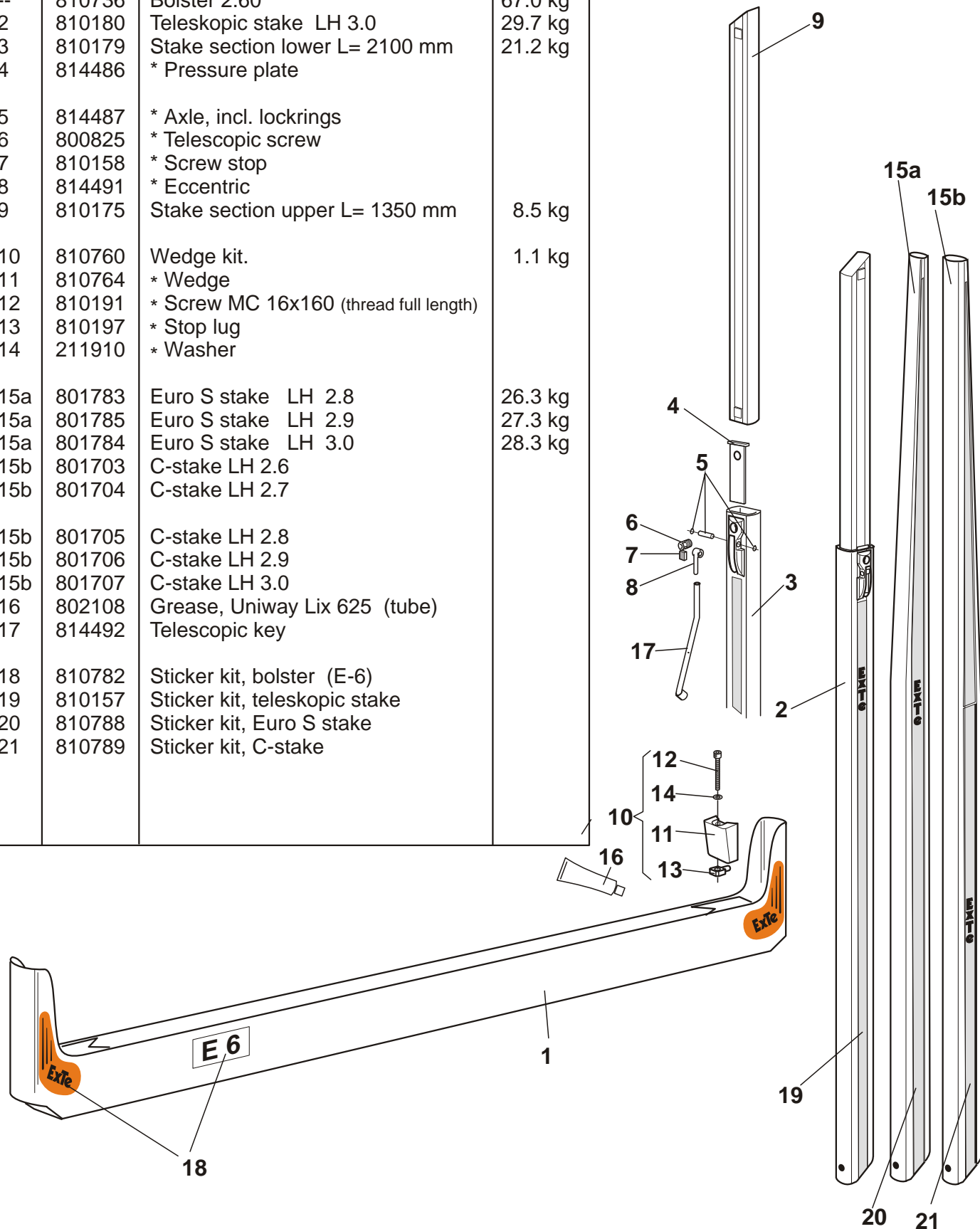
Pos	Part.no	Description	Weight.
1	810701	Bolster 2.55	60.3 kg
--	810735	Bolster 2.60	61.0 kg
2	810728	Teleskopisk stake LH 2.8	26.0 kg
3	810187	Stake section lower L= 1900 mm	17.5 kg
4	814486	* Pressure plate	
5	814487	* Axle, incl. lockrings	
6	800825	* Telescopic screw	
7	810158	* Screw stop	
8	814491	* Eccentric	
9	810175	Stake section upper L= 1350 mm	8.5 kg
10	810760	Wedge kit	1.1 kg
11	810764	* Wedge	
12	810191	* Screw MC 16x160 (thread full length)	
13	810197	* Stop lug	
14	211910	* Washer	
15a	810724	Euro S stake LH 2.6	20.5 kg
15a	810727	Euro S stake LH 2.8	21.7 kg
15b	801695	C-stake LH 2.6	
15b	801697	C-stake LH 2.8	
16	802108	Grease, Uniway Lix 625 (tube)	
17	814492	Telescopic key	
18	810781	Sticker kit, bolster (E-4)	
19	810157	Sticker kit, teleskopisk stake	
20	810788	Sticker kit, Euro S stake	
21	810789	Sticker kit, C-stake	



Spare parts

E-6

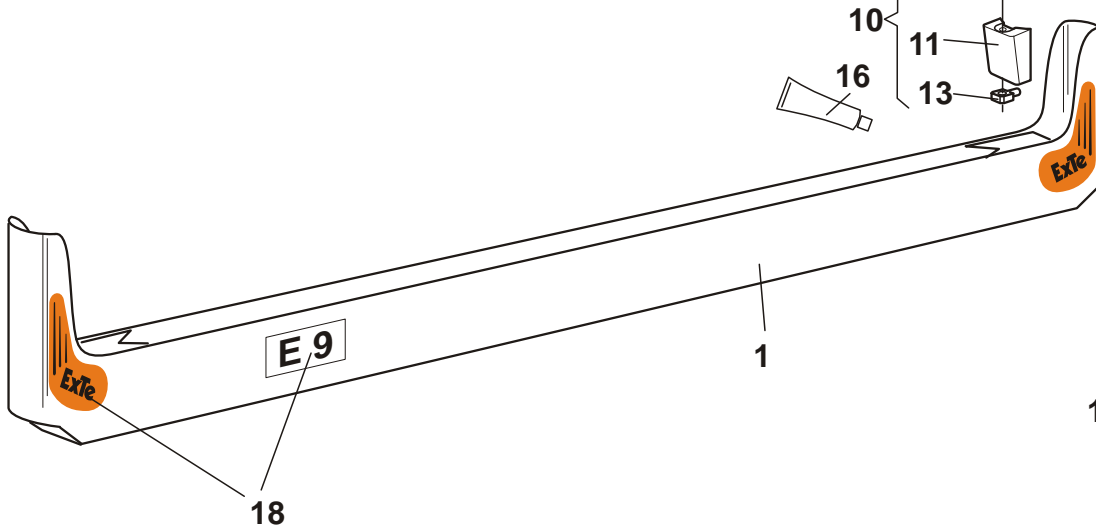
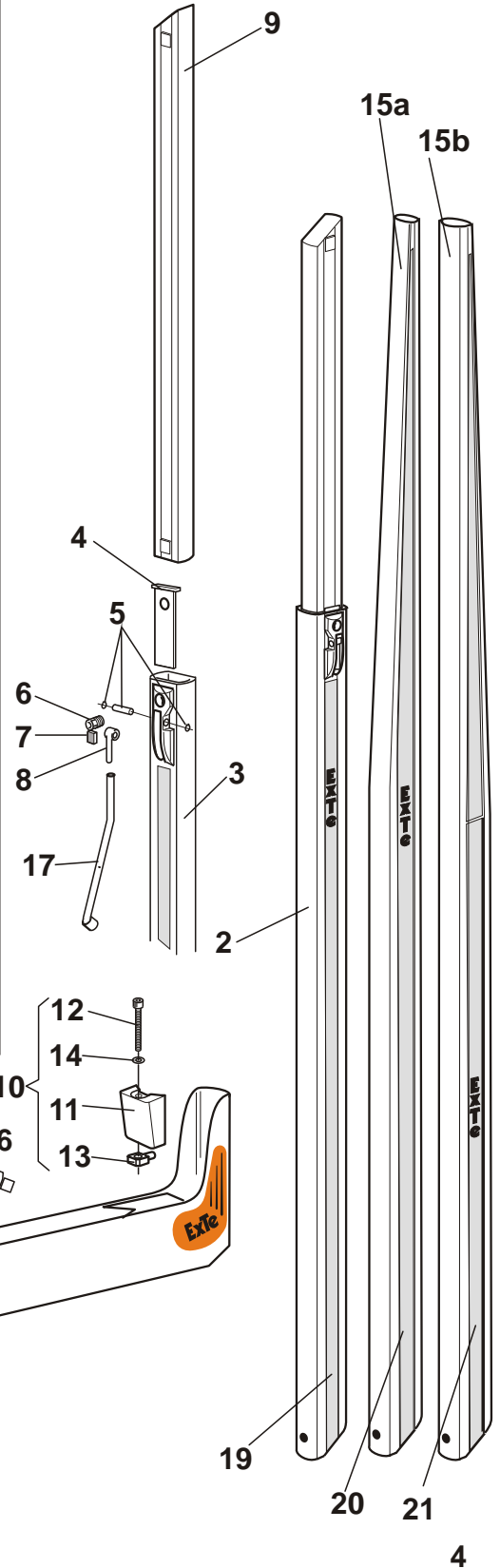
Pos	Part.no	Description	Weight
1	810702	Bolster 2.55	66.0 kg
--	810736	Bolster 2.60	67.0 kg
2	810180	Telescopic stake LH 3.0	29.7 kg
3	810179	Stake section plate lower L= 2100 mm	21.2 kg
4	814486	* Pressure plate	
5	814487	* Axle, incl. lockrings	
6	800825	* Telescopic screw	
7	810158	* Screw stop	
8	814491	* Eccentric	
9	810175	Stake section upper L= 1350 mm	8.5 kg
10	810760	Wedge kit.	1.1 kg
11	810764	* Wedge	
12	810191	* Screw MC 16x160 (thread full length)	
13	810197	* Stop lug	
14	211910	* Washer	
15a	801783	Euro S stake LH 2.8	26.3 kg
15a	801785	Euro S stake LH 2.9	27.3 kg
15a	801784	Euro S stake LH 3.0	28.3 kg
15b	801703	C-stake LH 2.6	
15b	801704	C-stake LH 2.7	
15b	801705	C-stake LH 2.8	
15b	801706	C-stake LH 2.9	
15b	801707	C-stake LH 3.0	
16	802108	Grease, Uniway Lix 625 (tube)	
17	814492	Telescopic key	
18	810782	Sticker kit, bolster (E-6)	
19	810157	Sticker kit, telescopic stake	
20	810788	Sticker kit, Euro S stake	
21	810789	Sticker kit, C-stake	



Spare parts

E-9

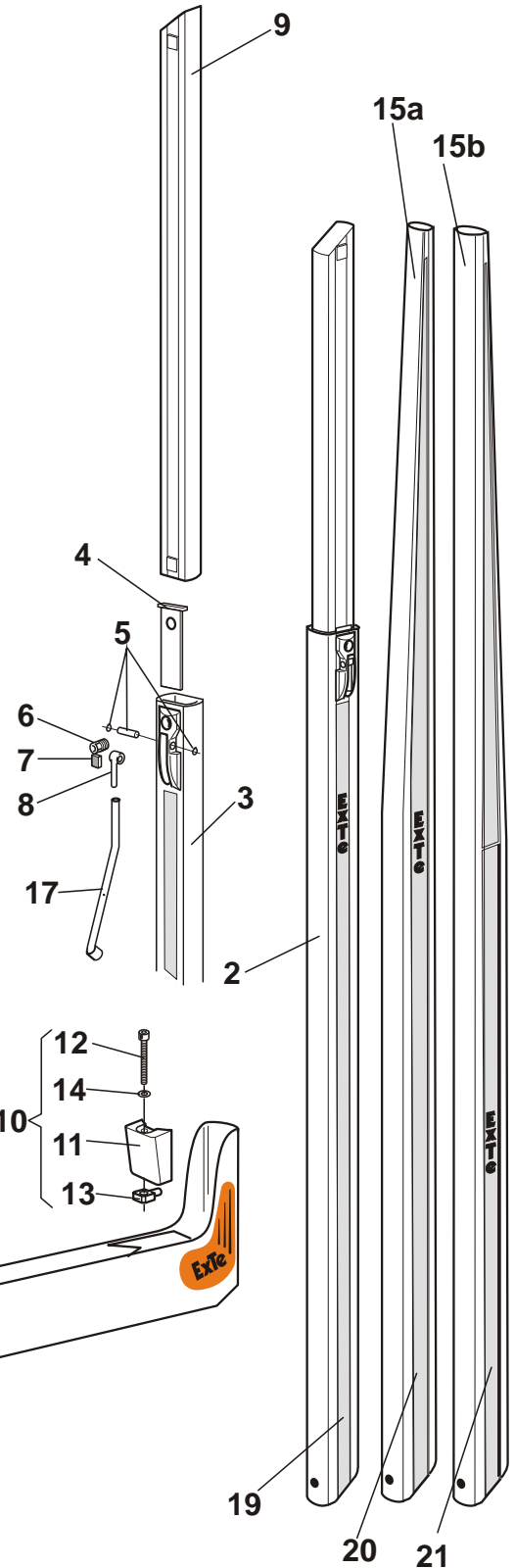
Pos	Part.no	Description	Weight
1	810703	Bolster 2.55	86.0 kg
--	810737	Bolster 2.60	87.0 kg
2	810190	Telescopic stake LH 3.0	34.2 kg
3	810189	Stake section lower L= 2100 mm	25.6 kg
4	814486	* Pressure plate	
5	814487	* Axle, incl. lockrings	
6	800825	* Telescopic screw	
7	810158	* Screw stop	
8	814491	* Eccentric	
9	810175	Stake section upper L= 1350 mm	8.5 kg
10	810760	Wedge kit	1.1 kg
11	810764	* Wedge	
12	810191	* Screw MC 16x160 (thread full length)	
13	810197	* Stop lug	
14	211910	* Washer	
15a	801728	Euro S stake LH 2.8	30.7 kg
15a	801729	Euro S stake LH 2.9	31.7 kg
15a	801730	Euro S stake LH 3.0	32.7 kg
15b	801738	C-stake LH 2.8	
15b	801739	C-stake LH 2.9	
15b	801740	C-stake LH 3.0	
16	802108	Grease, Uniway Lix 625 (tube)	
17	814492	Telescopic key	
18	810783	Sticker kit, bolster (E-9)	
19	810157	Sticker kit, telescopic stake	
20	810788	Sticker kit, Euro S stake	
21	810789	Sticker kit, C-stake	



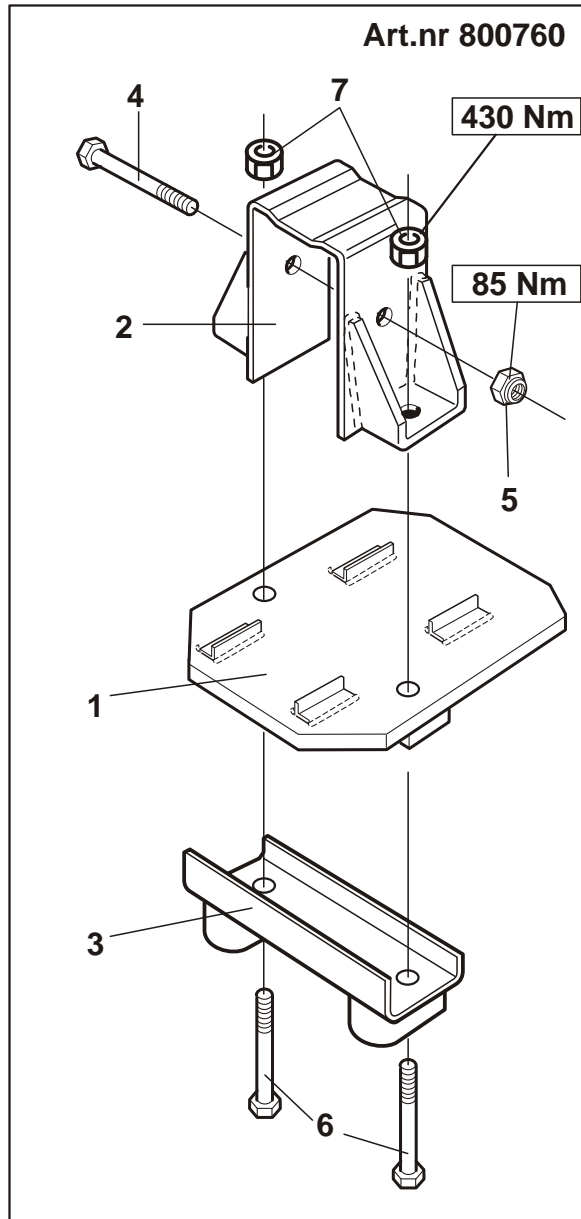
Spare parts

E-12

Pos	Part.no	Description	Weight
1	810704	Bolster 2.55	93.8 kg
--	810738	Bolster 2.60	95.0 kg
2	810732	Telescopic stake LH 3.0	38.6 kg
3	810733	Stake section lower L= 2100 mm	30.1 kg
4	814486	* Pressure plate	
5	814487	* Axle, incl. lockrings	
6	800825	* Adjusting bolt	
7	810158	* Boltstop	
8	814491	* Excenter	
9	810175	Stake section upper L= 1350 mm	8.5 kg
10	810195	Wedge kit	1.6 kg
11	810194	* Wedge	
12	810191	* Screw MC 16x160 (thread full length)	
13	810197	* Stop lug	
14	240100	* Washer	
15a	810730	Euro S stake LH 2.8	36.3 kg
15a	810734	Euro S stake LH 2.9	37.4 kg
15a	810731	Euro S stake LH 3.0	38.5 kg
15b	801721	C-stake LH 2.6	
15b	801722	C-stake LH 2.7	
15b	810723	C-stake LH 2.8	
15b	801724	C-stake LH 2.9	
15b	801725	C-stake LH 3.0	
16	802108	Grease, Uniway Lix 625 (tube)	
17	814492	Telescopic key	
18	810784	Sticker kit, bolster (E-12)	
19	810157	Sticker kit, telescopic stake	
20	810788	Sticker kit, Euro S stake	
21	810789	Sticker kit, C-stake	

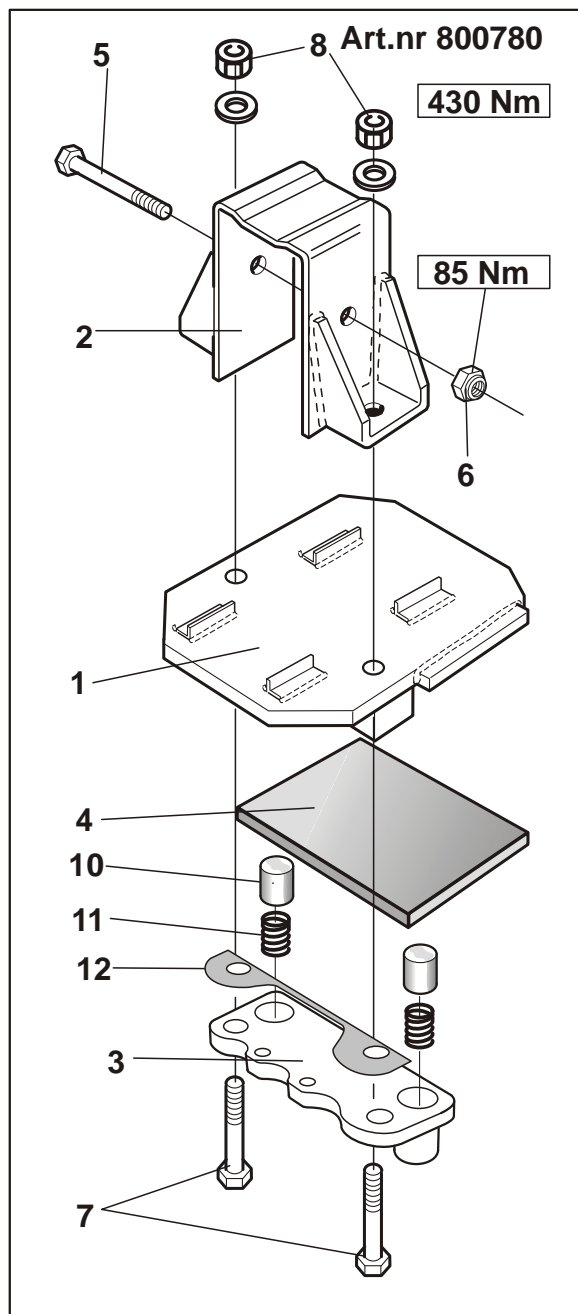


Clamping attachment



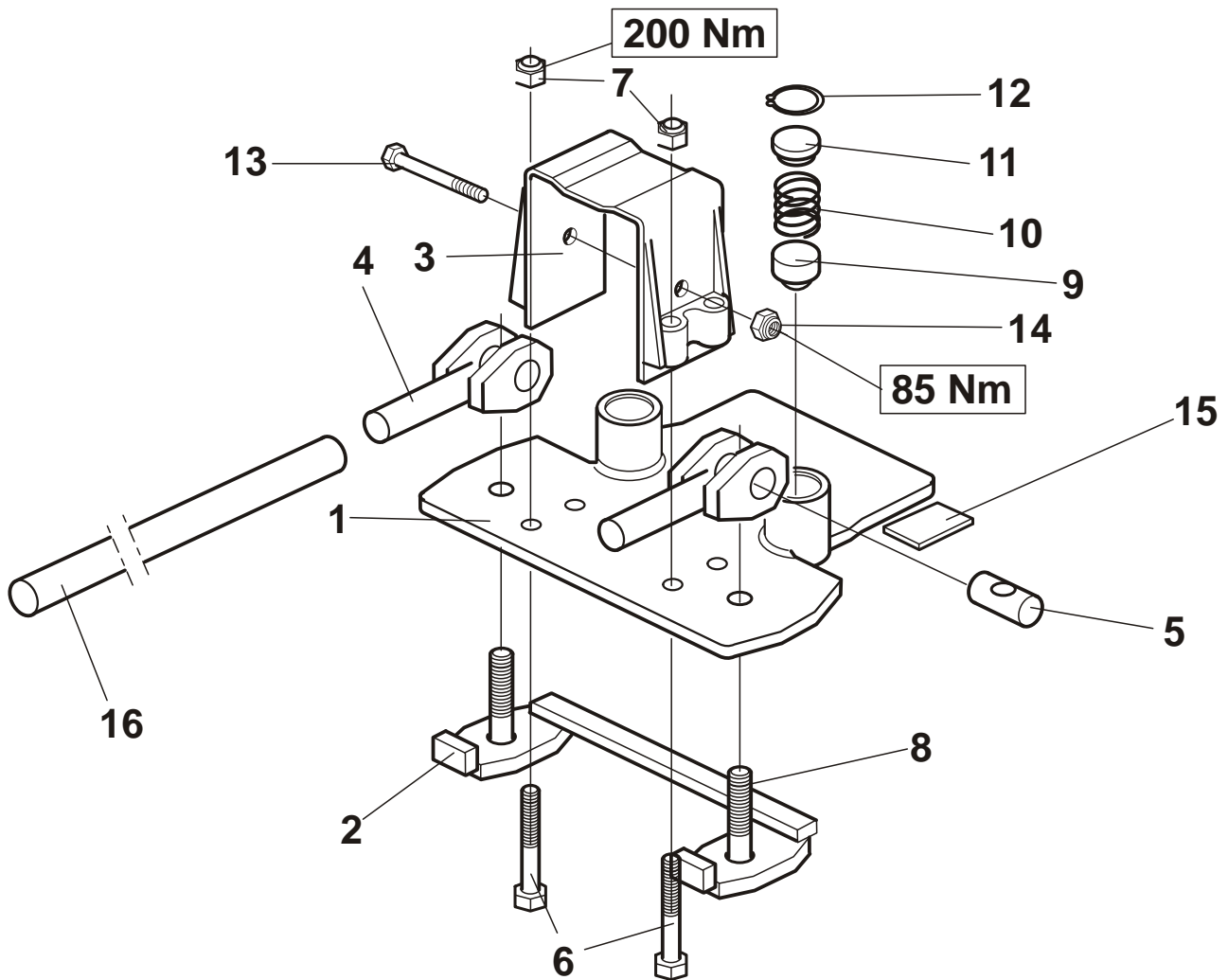
pos	No	Description	note
1.	800 761	Mounting plate	8.1 kg
2.	800 765	Upper part	3.6 kg
3.	800 672	Fastening plate	3.0 kg
4.	211098	Screw	M12x140
5.	211857	Nut	M12 lock
6.	211169	Screw	M20x130
7.	211861	Nut	M20 lock

Friction attachment



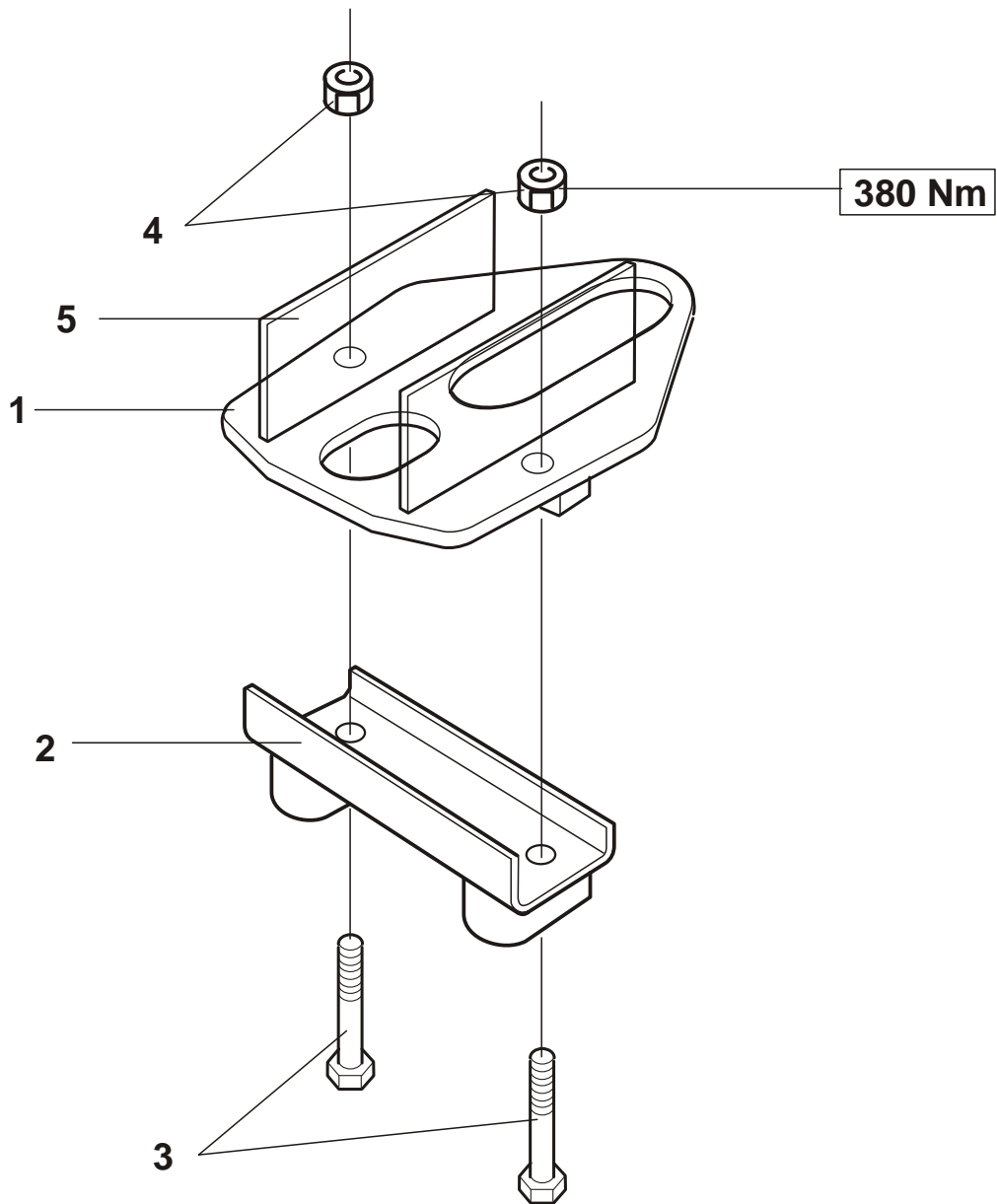
pos	No	Description	note
1.	800 771	Mounting plate	8.7 kg
2.	800 765	Upper part	3.8 kg
3.	800 602	Fastening plate	3.5 kg
4.	800 647	Sliding pad 15 mm	
--	800 646	Sliding pad 20 mm	
5.	211 098	Screw	M12x140
6.	211 857	Nut	M12 lock
7.	211 171	Screw	M20x140
8.	211 861	Nut	M20 lock
9.	211 902	Washer	
10.	800 603	Plastplunge	
11.	800 604	Spring	
12.	800 616	Shim	

Roller attachment



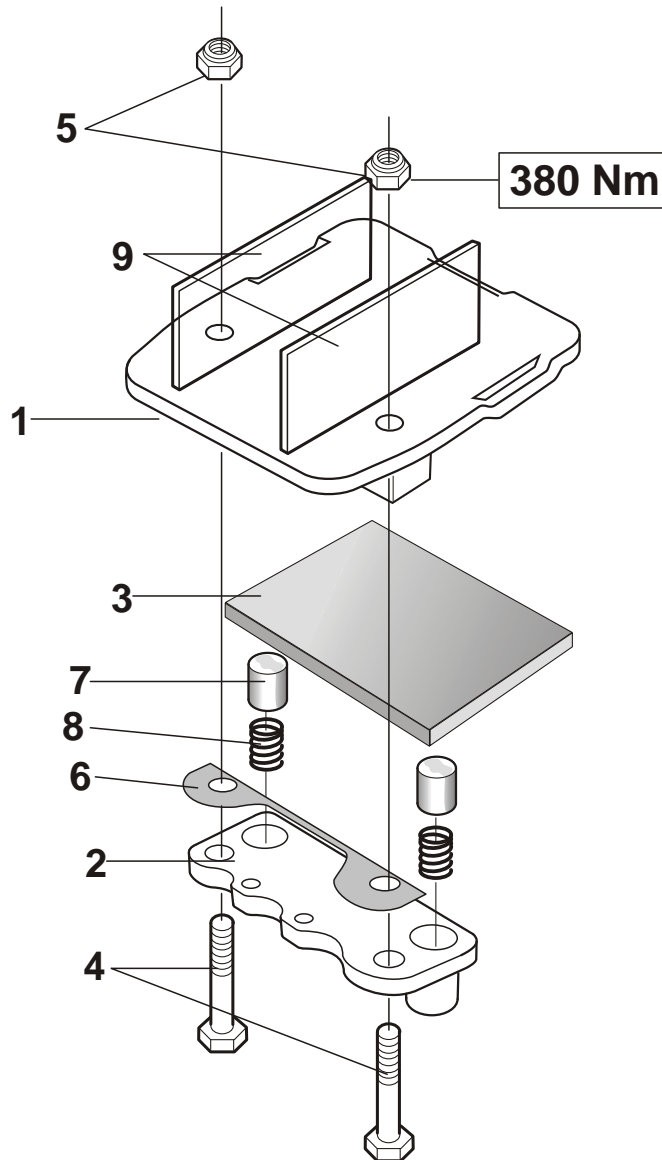
pos	No	Description	note
1.	800 791	Mounting plate	7.9 kg
2.	800 613	Fastening plate	2.5 kg
3.	800 793	Upper part	3.2 kg
4.	800 713	Excentric Fork	0.8 kg
5.	800 709	Axle	0.2 kg
6.	211 120	Screw	M16x110
7.	211 860	Nut	M16 lock
8.	211 167	Screw	M20x1.5x80
9.	800 607	Roller bearing	
10.	800 608	Spring	
11.	800 609	Cover	
12.	800 610	Lock ring	
13.	211 098	Screw	M12x140
14.	211 857	Nut	M12 lock
15.	800 718	Stop	40x40x3
16.	800 716	Operating handle	L= 600

Clamping attachment (for welding)



pos	No	Description	note
1.	800 671	Mounting plate	5.0 kg
2.	800 672	Fastening plate	3.1 kg
3.	211 165	Screw	M20x75
4.	211 861	Nut	M20 Lock
5.	810 036	Fastening plate	200x90x7mm

Friction attachment (for welding)



pos	No	Description	note
1.	800 701	Mounting plate	7.0 kg
2.	800 602	Fastening plate	3.5 kg
3.	800 647	Sliding pad 15 mm	0.5 kg
--	800 646	Sliding pad 20 mm	0.5 kg
4.	211 166	Screw	M20x90
5.	211 861	Nut	M20 lock
6.	800 616	Shim	
7.	800 603	Plastplunge	
8.	800 604	Spring	
9.	810 036	Fastening plate	200x90x7mm

ExTe

ExTe Fabriks AB, SE-820 41 Färila Sweden. Tel: +46(0)651 175 00. Fax: +46(0)651 175 03
E-mail: info@exte.se www.exte.se