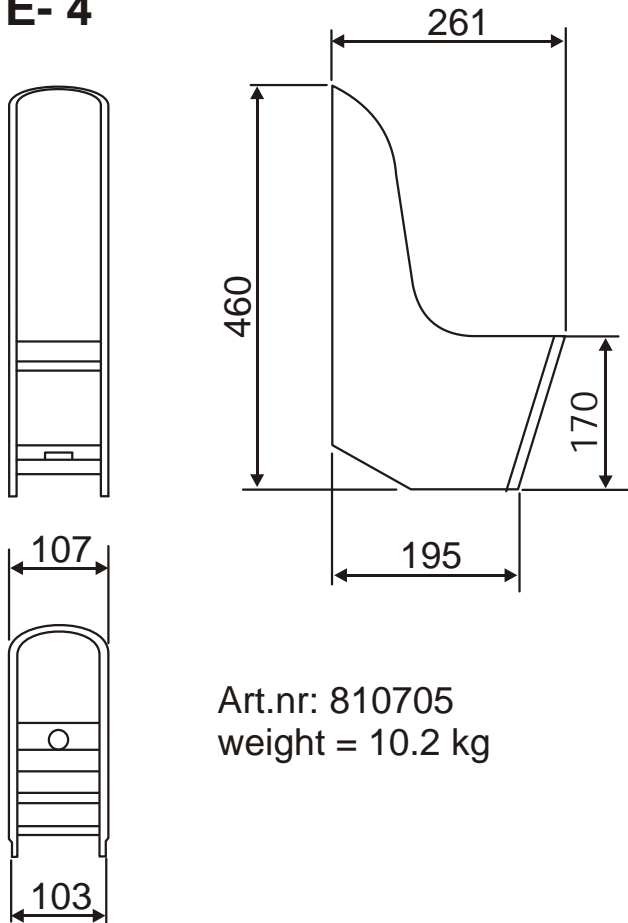
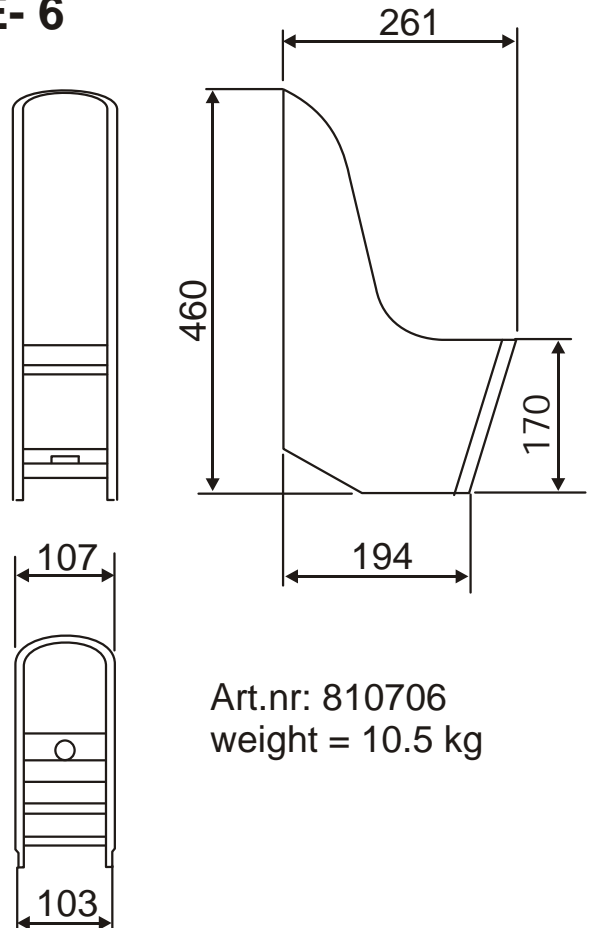


Socket measurements

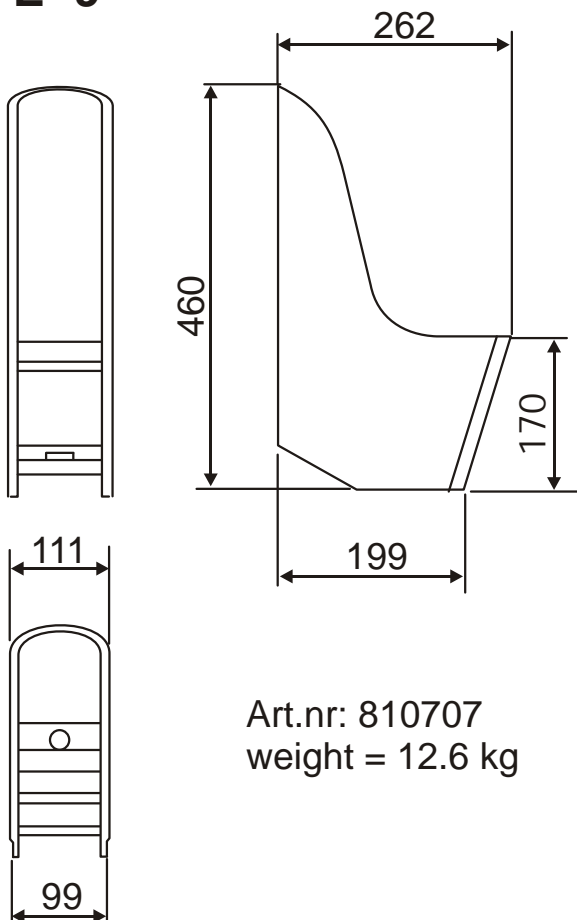
E- 4



E- 6



E- 9



E- 12

