

D-serie

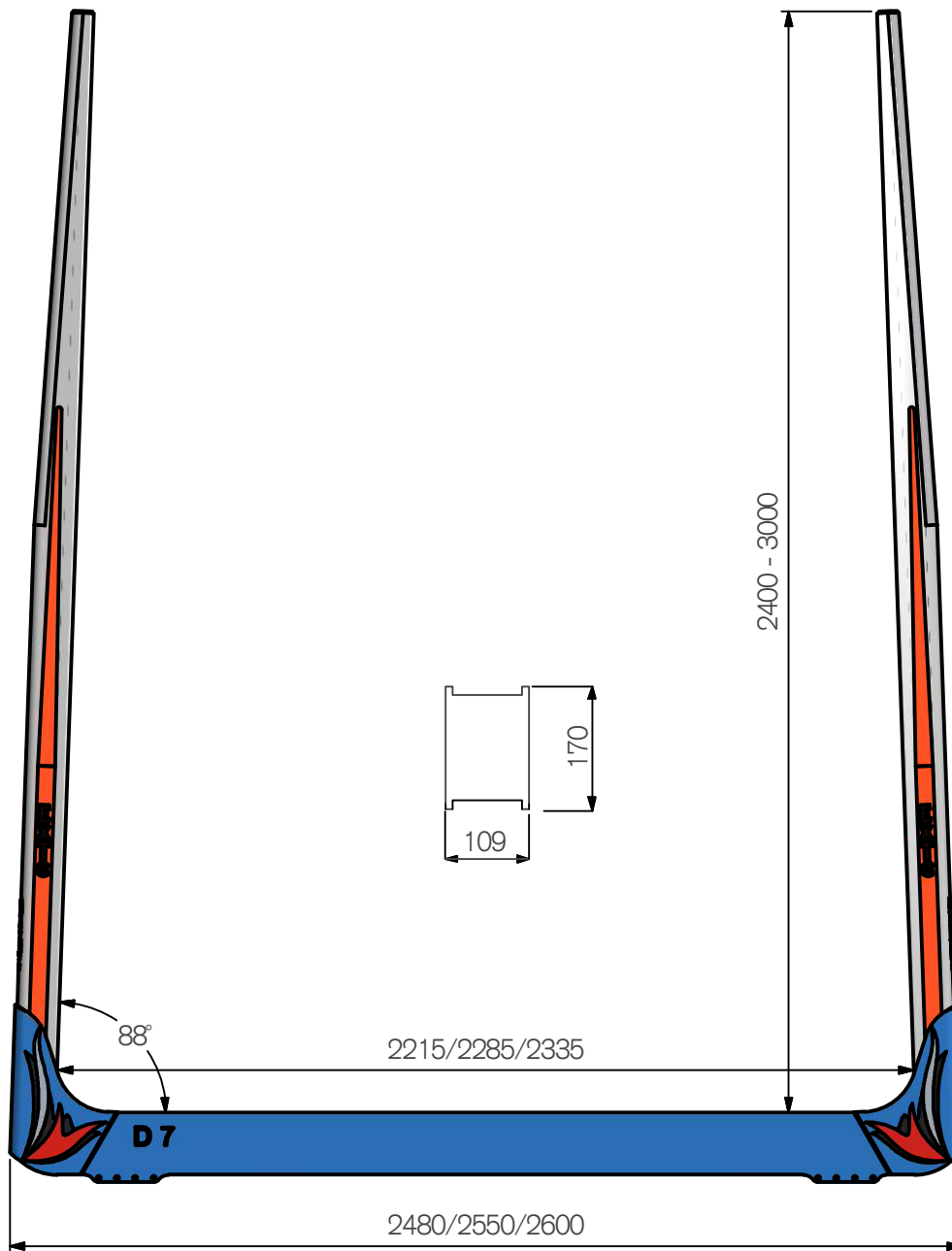
D7

Teknisk Data / Technical Details / Technische Daten

Max. Lastkapacitet 7 Ton

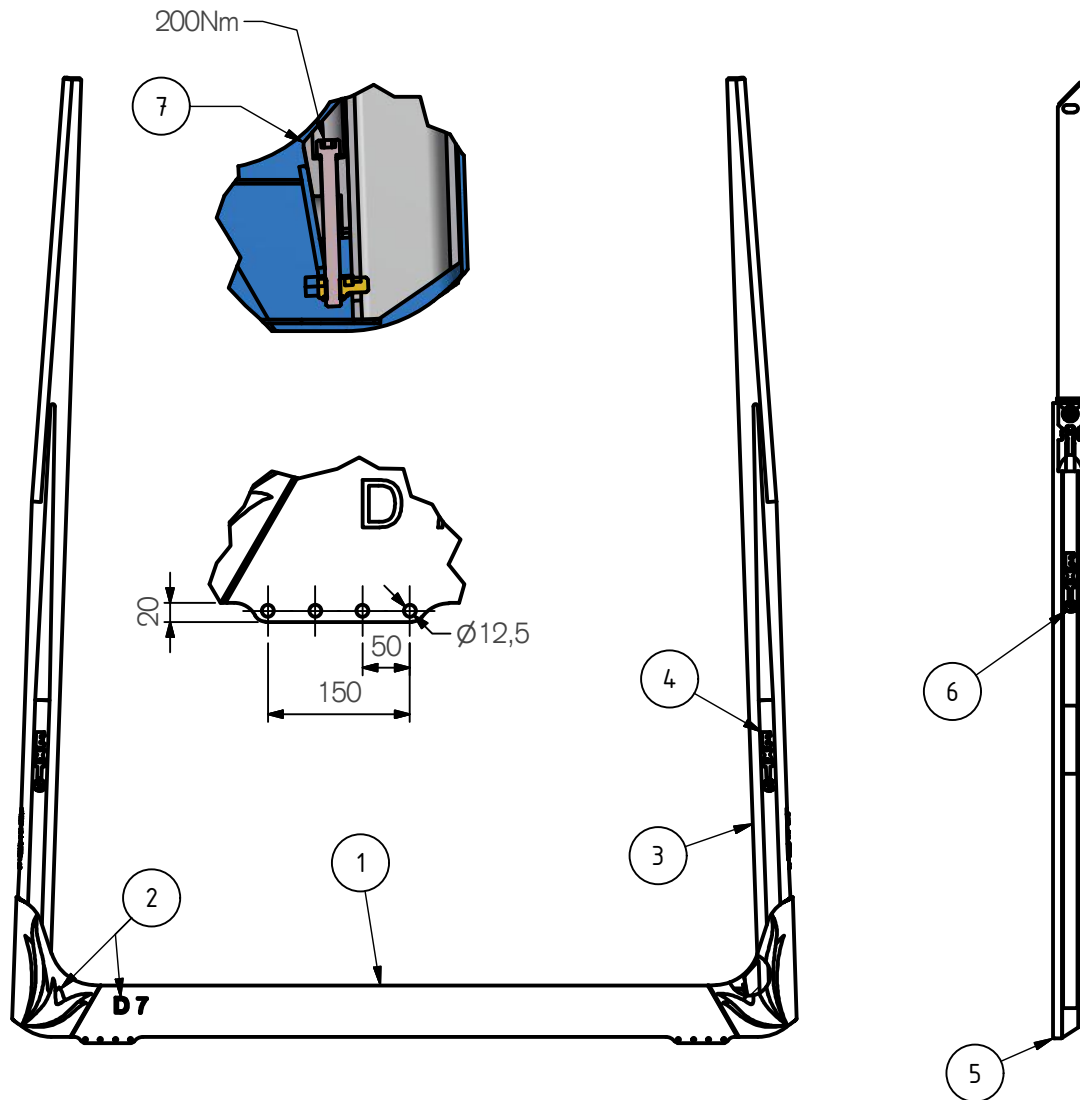
Max. Load Capacity 7 Ton

Max. Beladekapazität pro Schemel beträgt: 7 Tonnen



ExTe

Securing cargo. We invented the concept.



Pos.	Art.nr	Benämning	Description	Bezeichnung	Weight	Wedge
1	810410	Stomme 2600mm	Bolster 2600mm	Schemelkörper 2600mm	58kg	
1	810415	Stomme 2550mm	Bolster 2550mm	Schemelkörper 2550mm	57kg	
1	810418	Stomme 2480mm	Bolster 2480mm	Schemelkörper 2480mm	56kg	
2	803034	Dekalsats Blå Stomme	Dekal Kit Blue Bolster	Dekorstreifen Blau Schemelkörper		
2	803038	Dekalsats Silver Stomme	Dekal Kit Silver Bolster	Dekorstreifen Silber Schemelkörper		
2	803043	Dekalsats Mörk Stomme	Dekal Kit Dark Bolster	Dekorstreifen Dunkel Schemelkörper		
3	802514	Stake D7 2400mm	Stake D7 2400mm	Runge D7 2400mm	18,6kg	810196
3	802515	Stake D7 2500mm	Stake D7 2500mm	Runge D7 2500mm	19,3kg	810196
3	802516	Stake D7 2600mm	Stake D7 2600mm	Runge D7 2600mm	20,0kg	810196
3	802517	Stake D7 2700mm	Stake D7 2700mm	Runge D7 2700mm	20,7kg	810196
3	802518	Stake D7 2800mm	Stake D7 2800mm	Runge D7 2800mm	21,4kg	810196
3	802519	Stake D7 2900mm	Stake D7 2900mm	Runge D7 2900mm	22,1kg	810196
3	802520	Stake D7 3000mm	Stake D7 3000mm	Runge D7 3000mm	22,8kg	810196
4	803065	Dekalsats D-stakar	Dekal Kit D-stakes	Dekorstreifen D-runge		
5	810248	Stake Teleskop 3000mm	Teleskopisk Stake 3000mm	Teleskoprunge 3000mm	29,0kg	810196
6	810157	Dekalsats Teleskopstake	Dekal Kit Teleskopisk Stake	Dekorstreifen Teleskoprunge		
7	810196	Låselement D-Serien	Wedge D-Series	Keil D-Serie	1,45kg	

ExTe

Securing cargo. We invented the concept.