

D-serie

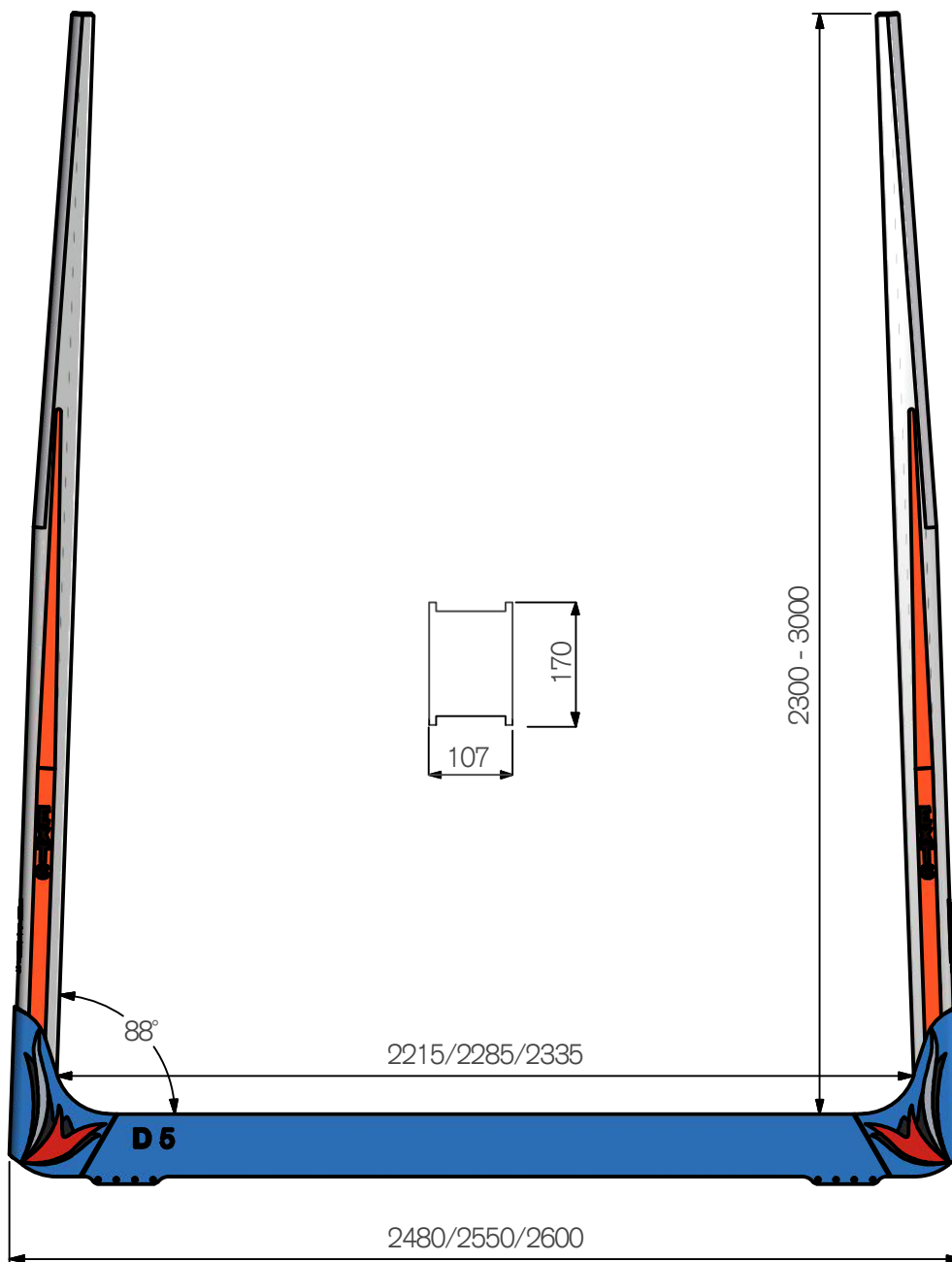
D5

Teknisk Data / Technical Details / Technische Daten

Max. Lastkapacitet 5 Ton

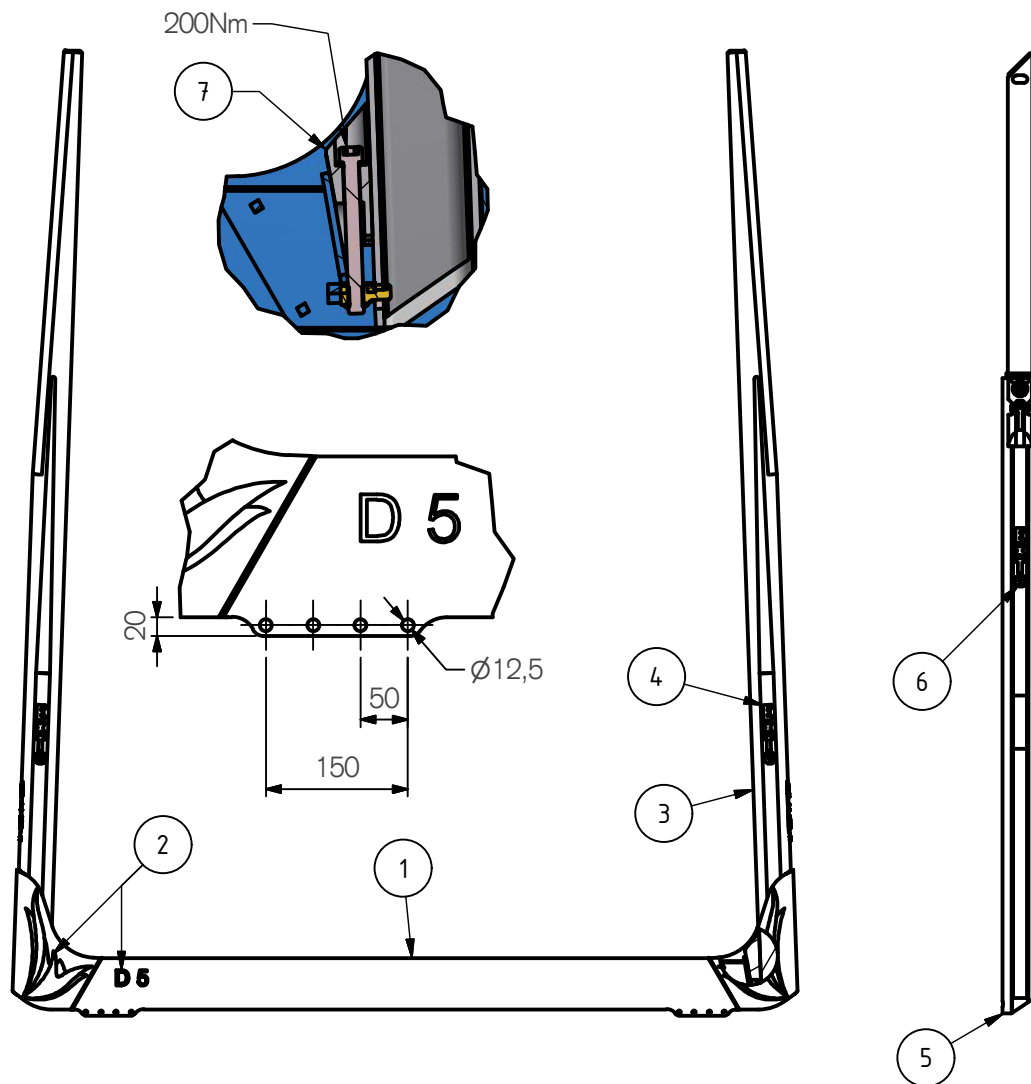
Max. Load Capacity 5 Ton

Max. Beladekapazität pro Schemel beträgt: 5 Tonnen



ExTe

Securing cargo. We invented the concept.



Pos.	Art.nr	Benämning	Description	Bezeichnung	Weight	Wedge
1	810420	Stomme 2600mm	Bolster 2600mm	Schemelkörper 2600mm	51,5kg	
1	810425	Stomme 2550mm	Bolster 2550mm	Schemelkörper 2550mm	50,5kg	
1	810428	Stomme 2480mm	Bolster 2480mm	Schemelkörper 2480mm	49,5kg	
2	803034	Dekalsats Blå Stomme	Dekal Kit Blue Bolster	Dekorstreifen Blau Schemelkörper		
2	803038	Dekalsats Silver Stomme	Dekal Kit Silver Bolster	Dekorstreifen Silber Schemelkörper		
2	803043	Dekalsats Mörk Stomme	Dekal Kit Dark Bolster	Dekorstreifen Dunkel Schemelkörper		
3	802503	Stake D5 2300mm	Stake D5 2300mm	Runge D5 2300mm	17,0kg	810196
3	802504	Stake D5 2400mm	Stake D5 2400mm	Runge D5 2400mm	17,7kg	810196
3	802505	Stake D5 2500mm	Stake D5 2500mm	Runge D5 2500mm	18,4kg	810196
3	802506	Stake D5 2600mm	Stake D5 2600mm	Runge D5 2600mm	19,1kg	810196
3	802507	Stake D5 2700mm	Stake D5 2700mm	Runge D5 2700mm	19,8kg	810196
3	802508	Stake D5 2800mm	Stake D5 2800mm	Runge D5 2800mm	20,5kg	810196
3	802509	Stake D5 2900mm	Stake D5 2900mm	Runge D5 2900mm	21,2kg	810196
3	802510	Stake D5 3000mm	Stake D5 3000mm	Runge D5 3000mm	21,9kg	810196
4	803065	Dekalsats D-stakar	Dekal Kit D-stakes	Dekorstreifen D-runge		
5	810180	Stake Teleskop 3000mm	Teleskopisk Stake 3000mm	Teleskoprunge 3000mm	29,8kg	810195
6	810157	Dekalsats Teleskopstake	Dekal Kit Teleskopisk Stake	Dekorstreifen Teleskoprunge		
7	810195	Låselement A/C-Serien	Wedge A/C-Series	Keil A/C-Serie	1,45kg	
7	810196	Låselement D-Serien	Wedge D-Series	Keil D-Serie	1,45kg	

ExTe

Securing cargo. We invented the concept.