

# A- serie

## Spare parts and Mounting details

2009 11 25



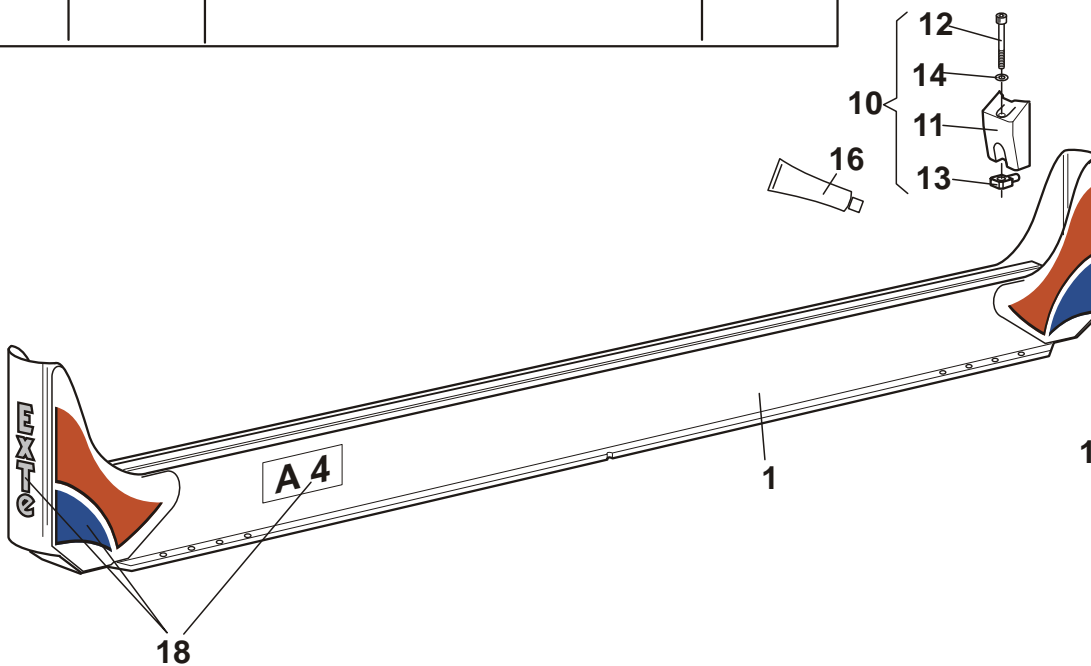
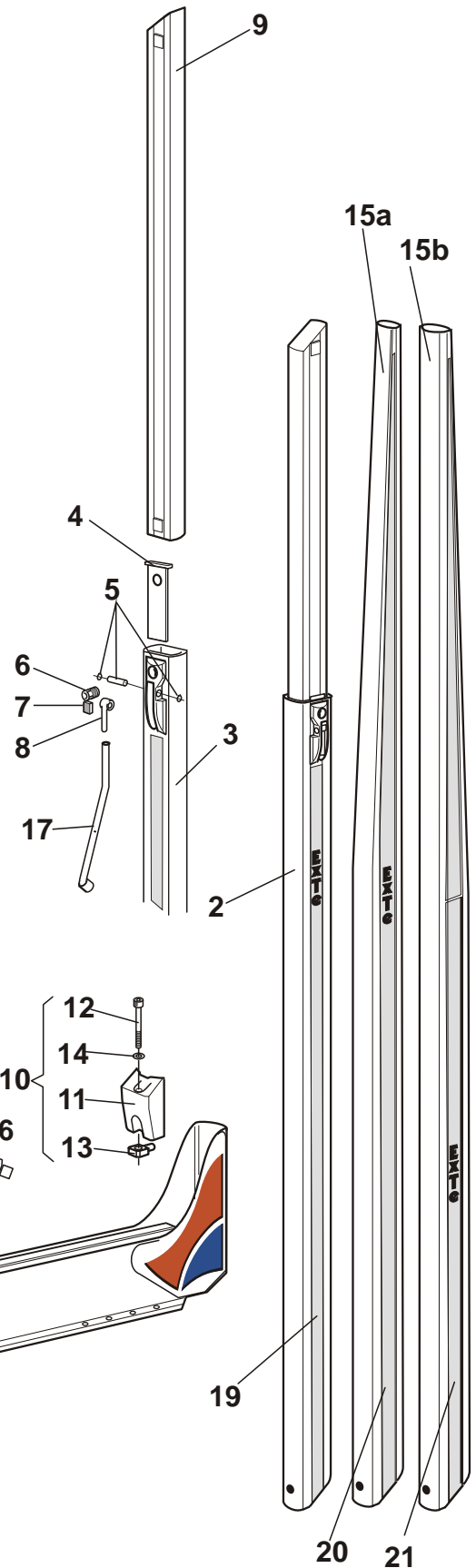
# ExTe

Securing cargo. We invented the concept.

# Spare parts

## A-4

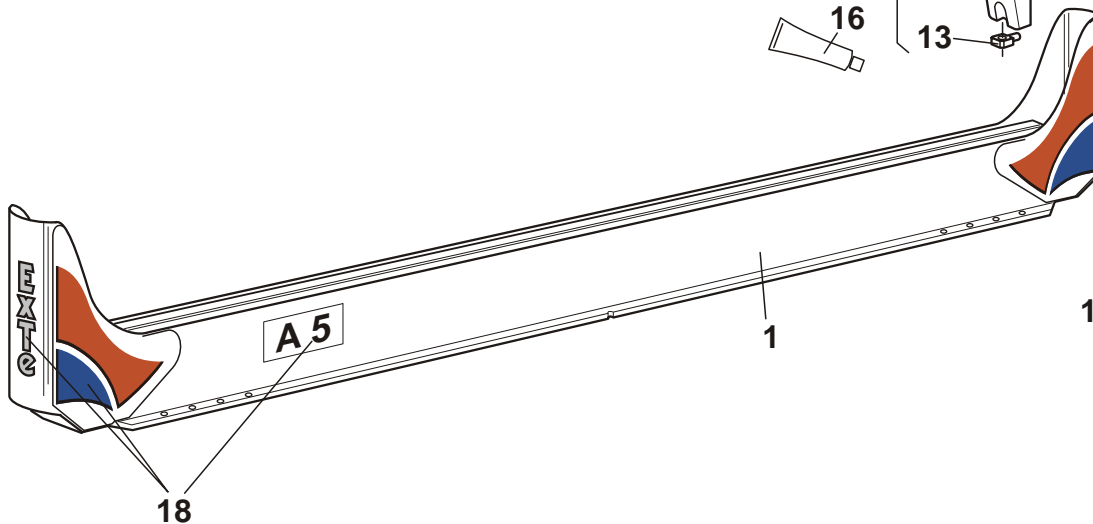
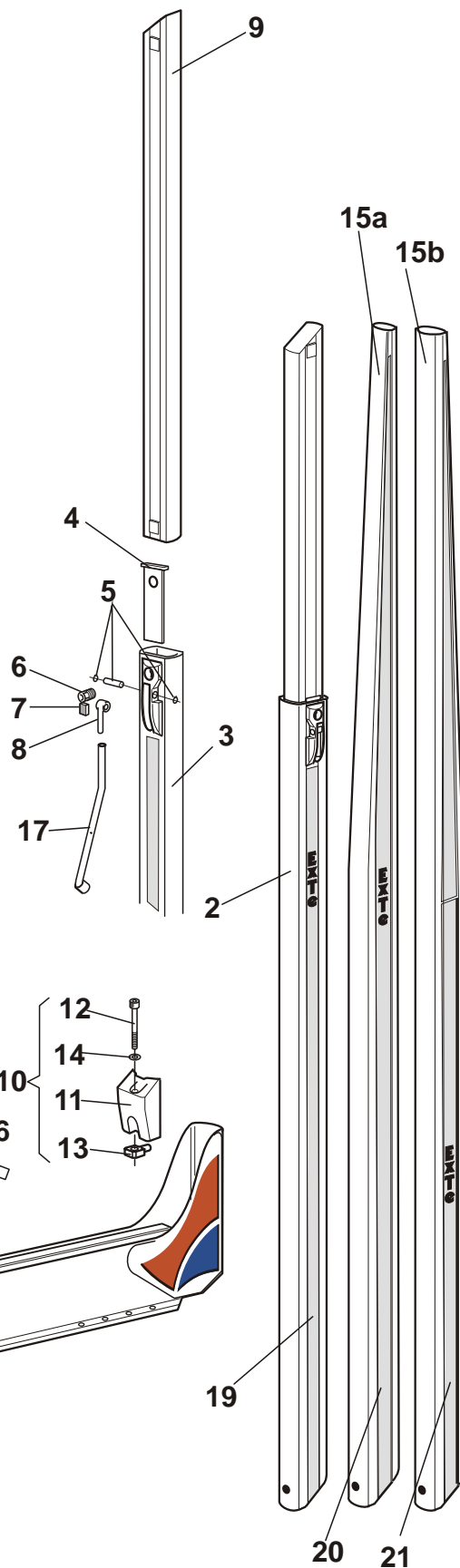
Pos	Part.no	Description	Weight.
1	810340	Bolster 2.55	39.4 kg
--	810345	Bolster 2.60	39.9 kg
2	810728	Teleskopic stake LH 2.8	26.0 kg
3	810187	Stake section lower L= 1900 mm	17.5 kg
4	814486	* Pressure plate	
5	814487	* Axle, incl. lockrings	
6	800825	* Telescopic screw	
7	810158	* Screw stop	
8	814491	* Eccentric	
9	810175	Stake section upper L= 1350 mm	8.5 kg
10	810195	Wedge kit	1.1 kg
11	810194	* Wedge	
12	211626	* Screw MC 16x160 (thread full length)	
13	220031	* Stop lug	
14	240100	* Washer	
15a	810724	Euro S stake LH 2.6	20.5 kg
15a	810727	Euro S stake LH 2.8	21.7 kg
15b	801695	C-stake LH 2.6	
15b	801697	C-stake LH 2.8	
16	802108	Grease, Uniway Lix 625 (tube)	
17	814492	Telescopic key	
18	810785	Sticker kit, bolster (A-4)	
19	810157	Sticker kit, teleskopic stake	
20	810788	Sticker kit, Euro S stake	
21	810789	Sticker kit, C-stake	



# Spare parts

## A-5

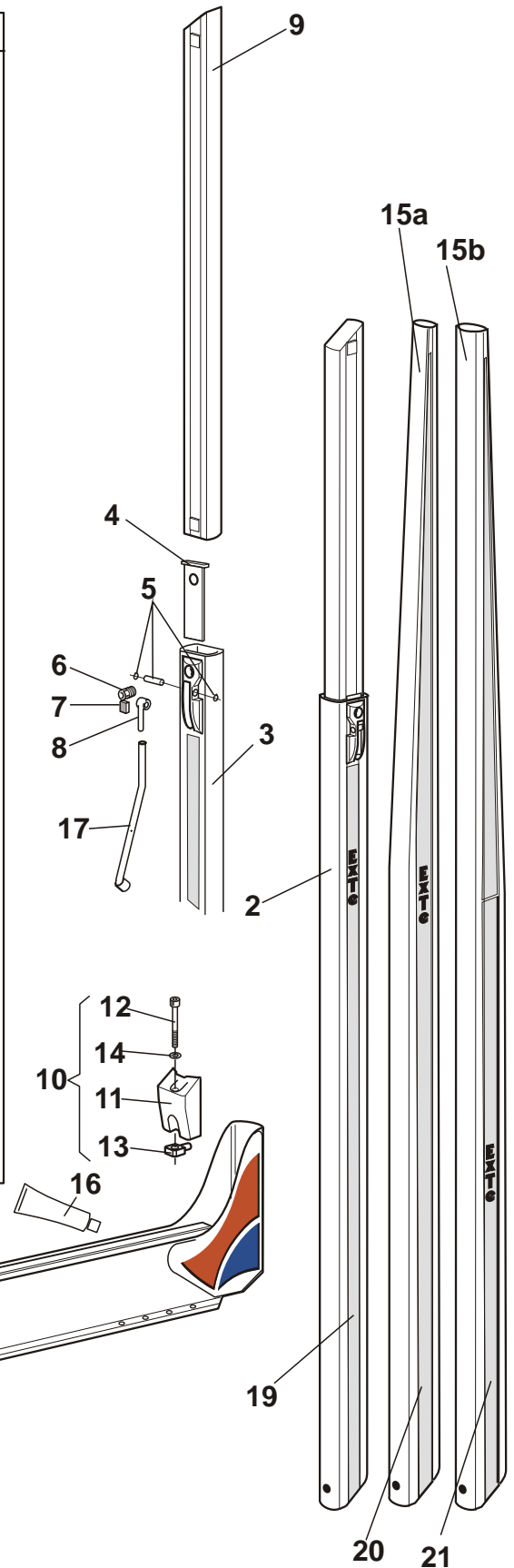
Pos	Part.no	Description	Weight
1	810360	Bolster 2.55	41.5 kg
--	810365	Bolster 2.60	42.0 kg
2	810180	Teleskopic stake LH 3.0	29.7 kg
3	810179	Stake section lower L= 2100 mm	21.2 kg
4	814486	* Pressure plate	
5	814487	* Axle, incl. lockrings	
6	800825	* Telescopic screw	
7	810158	* Screw stop	
8	814491	* Eccentric	
9	810175	Stake section upper L= 1350 mm	8.5 kg
10	810195	Wedge kit.	1.1 kg
11	810194	* Wedge	
12	211626	* Screw MC 16x160 (thread full length)	
13	220031	* Stop lug	
14	240100	* Washer	
15a	801783	Euro S stake LH 2.8	26.3 kg
15b	801703	C-stake LH 2.6	
15b	801704	C-stake LH 2.7	
15b	801705	C-stake LH 2.8	
16	802108	Grease, Uniway Lix 625 (tube)	
17	814492	Telescopic key	
18	810773	Sticker kit, bolster (A-5)	
19	810157	Sticker kit, teleskopic stake	
20	810788	Sticker kit, Euro S stake	
21	810789	Sticker kit, C-stake	



# Spare parts

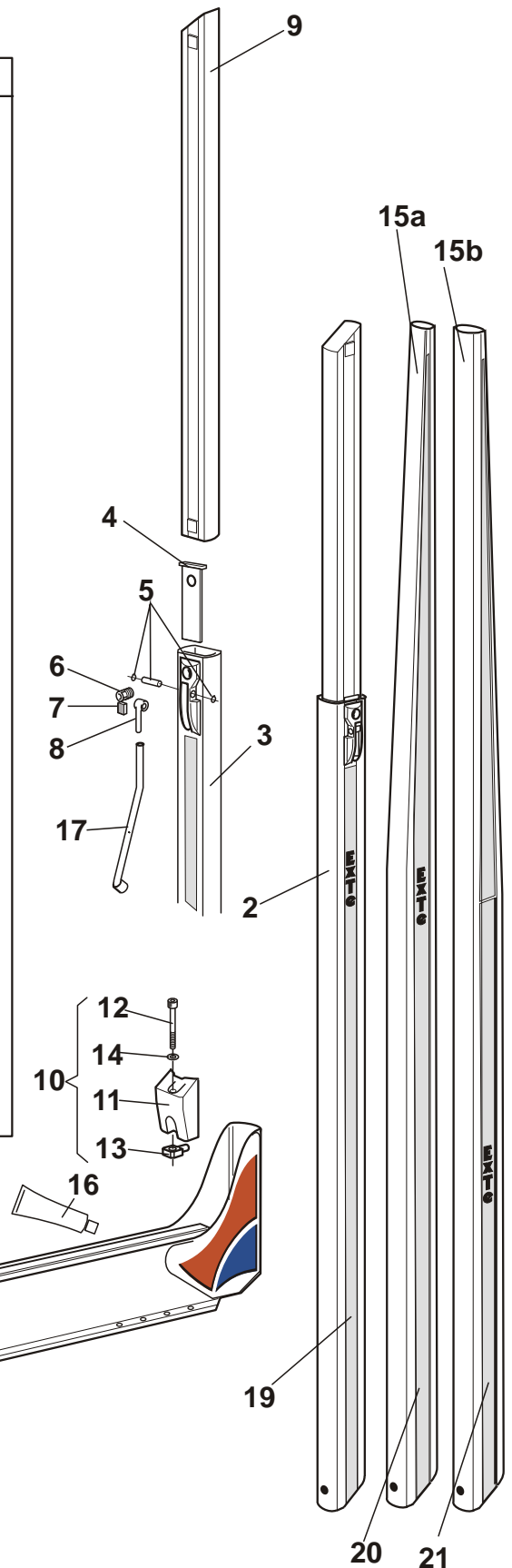
## A-6

Pos	Part.no	Description	Weight
1	810350	Bolster 2.55	50.4 kg
--	810355	Bolster 2.60	51.2 kg
2	810180	Telescopic stake LH 3.0	29.7 kg
3	810179	Stake section lower L= 2100 mm	21.2 kg
4	814486	* Pressure plate	
5	814487	* Axle, incl. lockrings	
6	800825	* Adjusting bolt	
7	810158	* Screw stop	
8	814491	* Eccentric	
9	810175	Stake section upper L= 1350 mm	8.5 kg
10	810195	Wedge kit.	1.1 kg
11	810194	* Wedge	
12	211626	* Screw MC 16x160 (thread full length)	
13	220031	* Stop lug	
14	240100	* Washer	
15a	801783	Euro S stake LH 2.8	26.3 kg
15a	801785	Euro S stake LH 2.9	27.3 kg
15a	801784	Euro S stake LH 3.0	28.3 kg
15b	801703	C-stake LH 2.6	
15b	801704	C-stake LH 2.7	
15b	801705	C-stake LH 2.8	
15b	801706	C-stake LH 2.9	
15b	801707	C-stake LH 3.0	
16	802108	Grease, Uniway Lix 625 (tube)	
17	814492	Telescopic key	
18	810786	Sticker kit, bolster (A-6)	
19	810157	Sticker kit, telescopic stake	
20	810788	Sticker kit, Euro S stake	
21	810789	Sticker kit, C-stake	



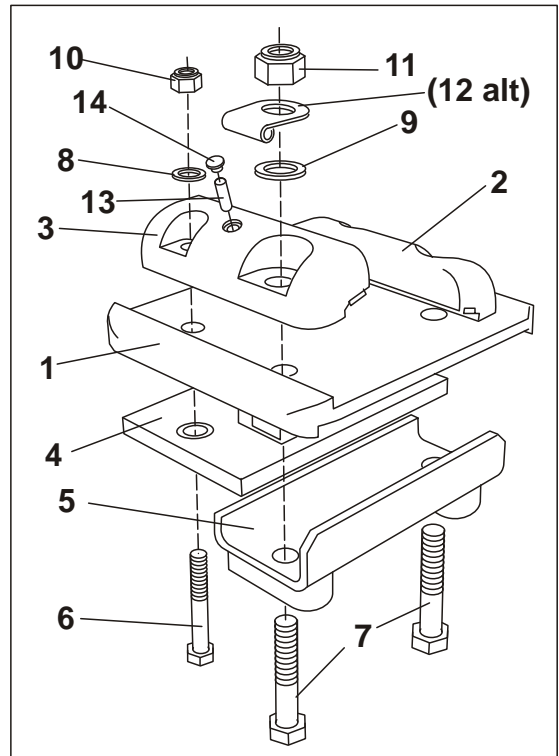
# Spare parts A-9

Pos	Part.no	Description	Weight
1	810350	Bolster 2.55	50.4 kg
--	810355	Bolster 2.60	51.2 kg
2	810190	Teleskopic stake LH 3.0	34.2 kg
3	810189	Stake section lower L= 2100 mm	25.6 kg
4	814486	* Pressure plate	
5	814487	* Axle, incl. lockrings	
6	800825	* Adjusting bolt	
7	810158	* Screw stop	
8	814491	* Eccentric	
9	810175	Stake section upper L= 1350 mm	8.5 kg
10	810195	Wedge kit	1.1 kg
11	810194	* Wedge	
12	211626	* Screw MC 16x160 (thread full lenght)	
13	220031	* Stop lug	
14	240100	* Washer	
15a	801728	Euro S stake LH 2.8	30.7 kg
15a	801729	Euro S stake LH 2.9	31.7 kg
15a	801730	Euro S stake LH 3.0	32.7 kg
15b	801738	C-stake LH 2.8	
15b	801739	C-stake LH 2.9	
15b	801740	C-stake LH 3.0	
16	802108	Grease, Uniway Lix 625 (tube)	
17	814492	Telescopic key	
18	810787	Sticker kit, bolster (A-9)	
19	810157	Sticker kit, teleskopic stake	
20	810788	Sticker kit, Euro S stake	
21	810789	Sticker kit, C-stake	



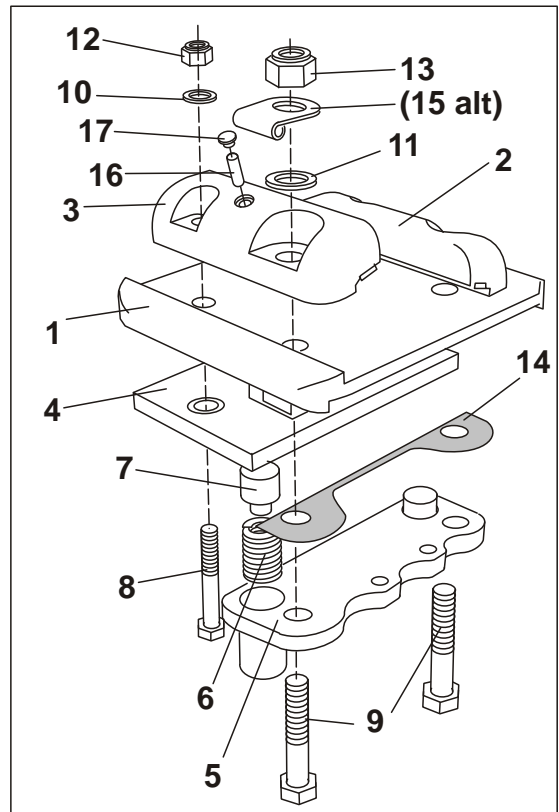
## Clamping attachment 800954

Pos	Part.no	Description
1	800953	Mounting plate
2	810331	Lock board right cmpl.
3	810332	Lock board left cmpl.
4	810330	Sliding pad
5	810325	Fastening plate
6	211617	Screw 12x50
7	211168	Screw 20x120
8	211907	Washer
9	211902	Washer
10	211857	Nut Locking M12
11	211861	Nut Locking M20
12	800429	Wire guide
13	800948	Locking pin
14	800949	Cover cap



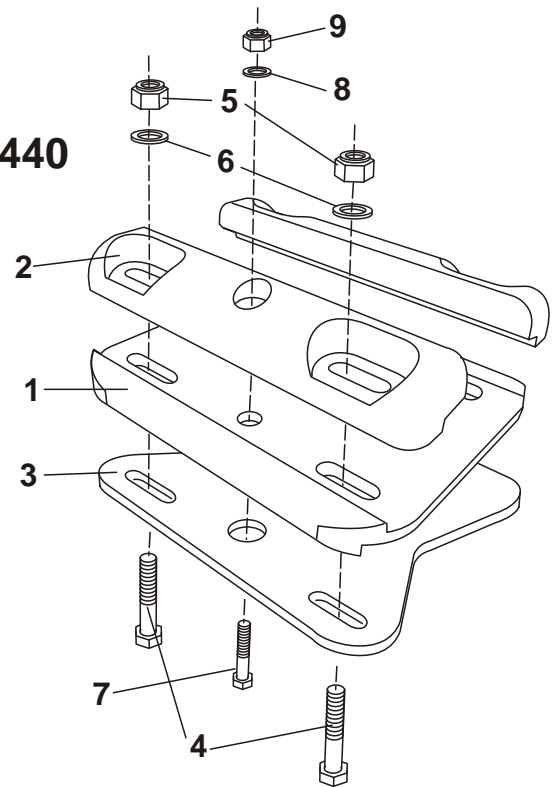
## Friction attachment 800955

Pos	Part.no	Description
1	800953	Mountin plate
2	810331	Lock board right cmpl.
3	810332	Lock board cmpl.
4	810330	Sliding plate
5	800602	Fastening plate
6	800604	Spring
7	800603	Plastic plunge
8	211617	Screw 12x50
9	211163	Screw 20x110
10	211907	Washer
11	211902	Washer
12	211857	Nut Locking M12
13	211861	Nut Locking M20
14	800616	Shim
15	800429	Wire guide
16	800948	Locking pin
17	800949	Cover cap



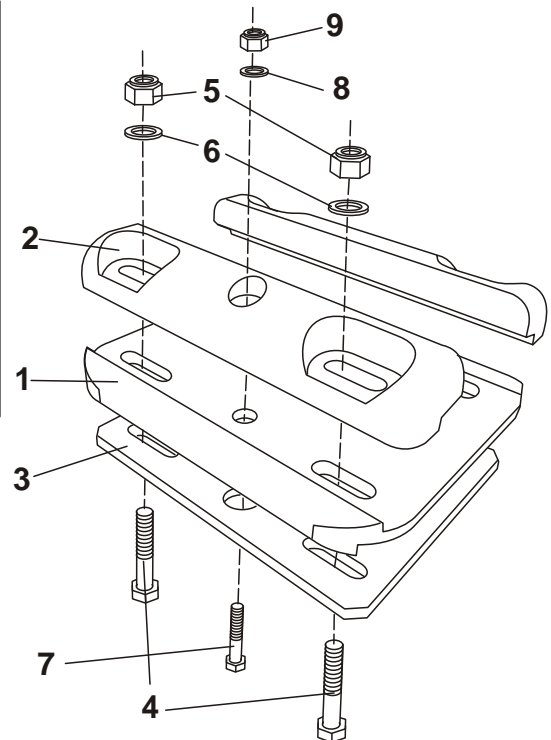
## Bracket for steel sliding frame 800440

Pos	Part.no	Description
1	800441	Mounting plate
2	800442	Lock board
3	800443	Distance plate (steel)
4	211125	Screw M16x70
5	211860	Nut Locking M16
6	211934	Washer
7	211014	Screw M10x50
8	211909	Washer
9	800165	Nut Locking M10



## Bracket for aluminium sliding frame 800445

Pos	Part.no	Description
1	800441	Mounting plate
2	800442	Lock board
3	800444	Distance plate (plastic)15mm
--	800446	Distance plate (plastic)10mm
4	211129	Screw M16x90
5	211860	Nut Locking M16
6	211934	Washer
7	211014	Screw M10x50
8	211909	Washer
9	800165	Nut Locking M10



# Mounting details

